



LEG





| No. | Ø * H | M |
|-----------|--------|-------|
| D4123.080 | 30*80 | Steel |
| D4123.100 | 30*100 | |
| D4123.120 | 30*120 | |
| D4123.150 | 30*150 | |
| D4123.200 | 30*200 | |

| No. | Ø * H | M |
|-----------|--------|-------|
| D4124.080 | 30*80 | Steel |
| D4124.100 | 30*100 | |
| D4124.120 | 30*120 | |
| D4124.150 | 30*150 | |
| D4124.200 | 30*200 | |

| No. | H | M |
|----------|-----|-------|
| 4109.100 | 100 | Steel |
| 4109.120 | 120 | |
| 4109.140 | 140 | |
| 4109.150 | 150 | |
| 4109.170 | 170 | |

| No. | H | M |
|----------|-----|-------|
| 4108.100 | 100 | Zamac |
| 4108.120 | 120 | |

| No. | W * W * H | M |
|----------|-----------|-------|
| 4116.080 | 25*25*80 | Steel |
| 4116.100 | 25*25*100 | |
| 4116.120 | 25*25*120 | |
| 4116.150 | 25*25*150 | |
| 4116.200 | 25*25*200 | |

| No. | W * W * H | M |
|----------|-----------|-------|
| 4117.080 | 25*25*80 | Steel |
| 4117.100 | 25*25*100 | |
| 4117.120 | 25*25*120 | |
| 4117.150 | 25*25*150 | |
| 4117.200 | 25*25*200 | |

| No. | W * W * H | M |
|----------|-----------|-------|
| 4107.100 | 100 | Steel |
| 4107.120 | 130 | |
| 4107.135 | 135 | |
| 4107.155 | 155 | |

| No. | H | M |
|----------|-----|-------|
| 4106.123 | 123 | Steel |

| No. | H | M |
|----------|-----|-------|
| 4123.100 | 100 | Steel |

| No. | H | M |
|----------|-----|-------|
| 4130.100 | 100 | Steel |

| No. | H | M |
|----------|-----|-------|
| 4110.135 | 135 | Steel |
| 4110.165 | 165 | |

| No. | H | M |
|----------|-----|-------|
| 4103.120 | 120 | Steel |

| No. | Φ * H | M |
|----------|--------|-------|
| 4118.080 | 25*80 | Steel |
| 4118.100 | 25*100 | |
| 4118.120 | 25*120 | |
| 4118.150 | 25*150 | |
| 4118.200 | 25*200 | |

| No. | Φ * H | M |
|-----------|--------|-------|
| 4118P.080 | 25*80 | Steel |
| 4118P.100 | 25*100 | |
| 4118P.120 | 25*120 | |
| 4118P.150 | 25*150 | |
| 4118P.200 | 25*200 | |

| No. | W * W * H | M |
|----------|-------------|-------|
| 4134.130 | 129*129*130 | Steel |
| 4134.150 | 126*126*150 | |

| No. | H | M |
|----------|-----|-------|
| 4140.150 | 150 | Steel |



| No. | L*W*H | M |
|----------|-------------|-------|
| 4138.100 | 117*117*100 | Steel |
| 4138.150 | 122*122*150 | |

| No. | H | M |
|----------|-----|-------|
| 4144.120 | 120 | Steel |
| 4144.150 | 150 | |
| 4144.180 | 180 | |

| No. | Ø * H | M |
|----------|--------|-------|
| 4119.080 | 50*80 | Steel |
| 4119.120 | 50*120 | |
| 4119.150 | 50*150 | |

| No. | Ø * H | M |
|-----------|--------|-------|
| D4111.040 | 50*40 | Steel |
| D4111.060 | 50*60 | |
| D4111.100 | 50*100 | |
| D4111.150 | 50*150 | |

| No. | W*W*H | M |
|----------|-----------|-------|
| 4304.100 | 38*38*100 | Steel |
| 4304.150 | 38*38*150 | |

| No. | W*W*H | M |
|----------|-----------|-------|
| 4323.100 | 38*38*100 | Steel |
| 4323.150 | 38*38*150 | |

| No. | H | M |
|----------|-----|-------|
| 4105.100 | 100 | Steel |
| 4105.120 | 120 | |
| 4105.150 | 150 | |

| No. | Ø * H | M |
|-----------|--------|-------|
| D4512.040 | 50*40 | Steel |
| D4512.050 | 50*50 | |
| D4512.060 | 50*60 | |
| D4512.080 | 50*80 | |
| D4512.100 | 50*100 | |
| D4512.120 | 50*120 | |
| D4512.150 | 50*150 | |

| No. | W*W*H | M |
|----------|-----------|-------|
| 4305.100 | 38*38*100 | Steel |
| 4305.150 | 38*38*150 | |

| No. | H | M |
|----------|-----|-------|
| 4126.033 | 33 | Steel |
| 4126.105 | 105 | |
| 4126.150 | 150 | |

| No. | Ø * H | M |
|-----------|--------|-------|
| D4112.100 | 50*100 | Steel |


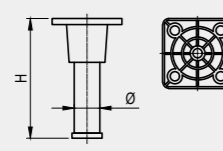
| No. | H | M |
|----------|-----|-------|
| 4104.100 | 100 | Steel |

| No. | H | M |
|----------|-----|-------|
| 4132.130 | 130 | Steel |
| 4132.160 | 160 | |
| 4132.190 | 190 | |
| 4132.230 | 230 | |

| No. | H | M |
|----------|-----|-------|
| 4167.140 | 140 | Steel |

| No. | H | M |
|------------|-----|-----------------|
| 4105SS.100 | 100 | Stainless Steel |
| 4105SS.120 | 120 | |
| 4105SS.150 | 150 | |


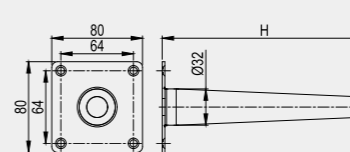
| No. | Ø * H | M |
|----------|--------|-------|
| 4302.100 | 45*100 | Steel |
| 4302.150 | 45*150 | |


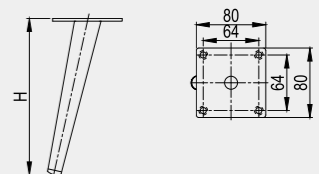
| No. | Ø * H | M |
|----------|--------|-----------|
| 4406.110 | 25*110 | PP+ Steel |




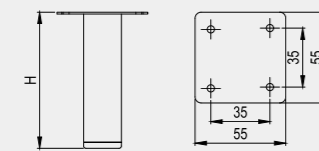

| No. | Φ * H | M |
|----------|--------|-------|
| 4122.115 | 60*115 | Steel |


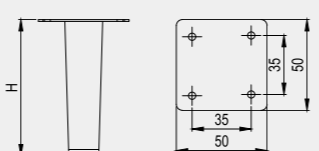
| No. | H | M |
|----------|-----|-------|
| 4134.180 | 180 | Steel |
| 4134.200 | 200 | |


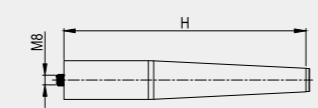
| No. | H | M |
|----------|---------|-------|
| 4143.XXX | 100-720 | Steel |


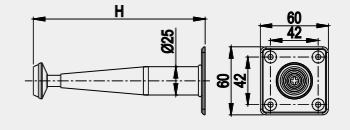
| No. | H | M |
|----------|---------|-------|
| 4141.XXX | 100-720 | Steel |


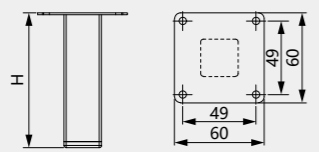
| No. | H | M |
|----------|---------|-------|
| 4142.XXX | 100-720 | Steel |


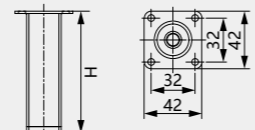
| No. | Ø * H | M |
|----------|--------|-------|
| 4164.202 | 25*200 | Steel |


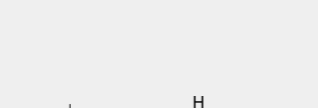
| No. | H | M |
|----------|-----|-------|
| 4129.100 | 100 | Steel |
| 4129.150 | 150 | |
| 4129.165 | 165 | |
| 4129.180 | 180 | |
| 4129.200 | 200 | |
| 4129.250 | 250 | |

| No. | H | M |
|----------|-----|-------|
| 4127.150 | 150 | Steel |


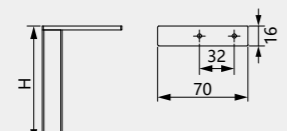
| No. | H | M |
|----------|-----|-------|
| 4124.120 | 120 | Steel |


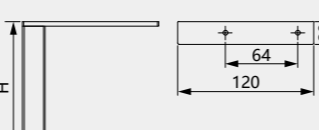
| No. | Ø * H | M |
|----------|--------|-------|
| 4125.170 | 25*120 | Steel |




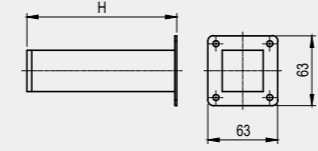

| No. | Ø * H | M |
|----------|-------|-------|
| 4155.100 | 35*95 | Steel |



| No. | Ø * L * H | M |
|----------|-----------|-------|
| 4131.130 | 70*16*130 | Steel |

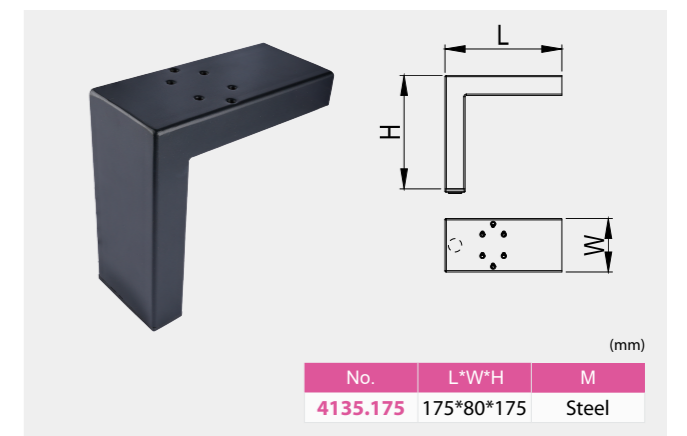
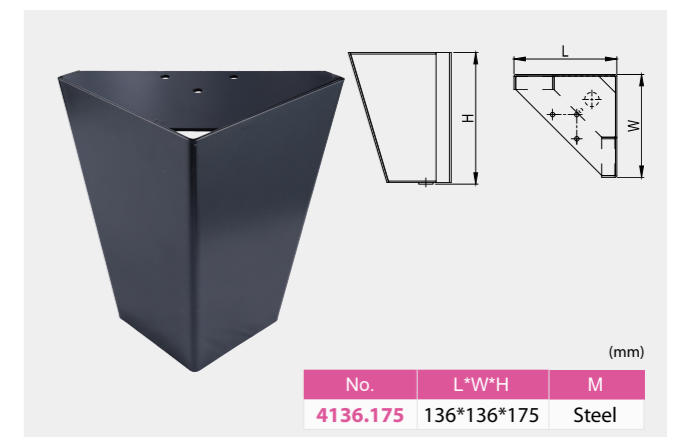
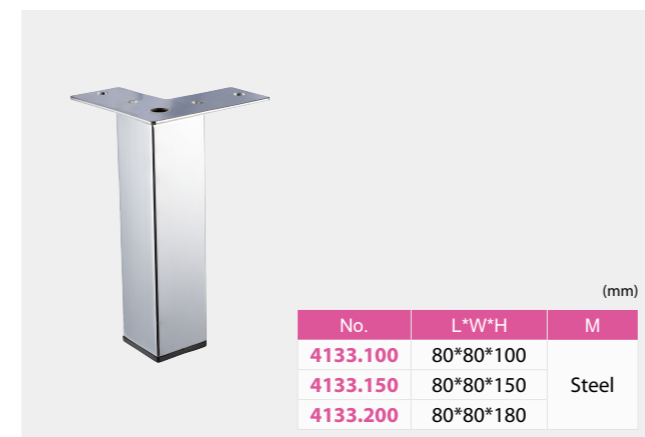
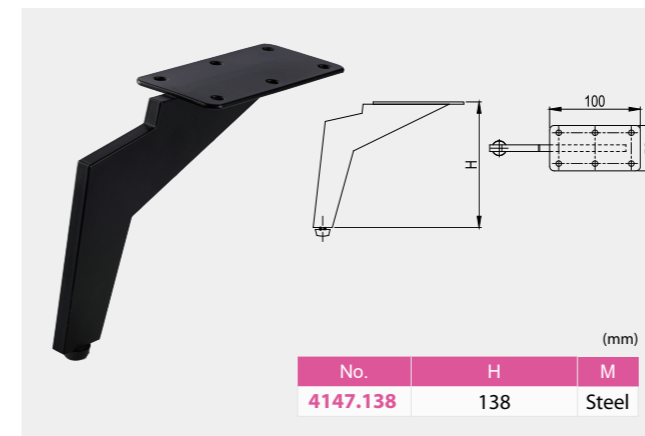
| No. | H | M |
|----------|-----|-------|
| 4128.150 | 150 | Steel |

| No. | W * W * H | M |
|----------|-----------|-------|
| 4307.220 | 40*40*220 | Steel |

| No. | W * W * L | M |
|-------|-----------|-------|
| D4121 | 40*40*360 | Steel |





| No. | Ø * H | M |
|-----------|--------|---|
| D4504.150 | 50*150 | |
| D4504.180 | 50*180 | |
| D4504.200 | 50*200 | |
| D4504.220 | 50*220 | |
| D4510.150 | 30*150 | |
| D4510.180 | 30*180 | |
| D4510.200 | 30*200 | |
| D4510.220 | 30*220 | |
| D4511.150 | 40*150 | |
| D4511.180 | 40*180 | |
| D4511.200 | 40*200 | |
| D4511.220 | 40*220 | |

Steel

| No. | Ø * H | M |
|-----------|--------|---|
| D4504.150 | 50*150 | |
| D4504.180 | 50*180 | |
| D4504.200 | 50*200 | |
| D4504.220 | 50*220 | |
| D4510.150 | 30*150 | |
| D4510.180 | 30*180 | |
| D4510.200 | 30*200 | |
| D4510.220 | 30*220 | |
| D4511.150 | 40*150 | |
| D4511.180 | 40*180 | |
| D4511.200 | 40*200 | |
| D4511.220 | 40*220 | |

Steel

| No. | L * W * H | M |
|-------|------------|-------|
| D4101 | 145*145*45 | Steel |

| No. | W*H*L | M |
|-----------|-----------|-----------------|
| D4207.001 | 30*30*150 | |
| D4207.002 | 50*50*150 | Steel |
| D4207.003 | 25*25*180 | Stainless steel |
| D4207.004 | 20*50*200 | |
| D4207.005 | 25*50*200 | |

| No. | W * H * L | M |
|-------|-----------|-------|
| D4106 | 38*20*320 | Steel |

| No. | W * W * L | M |
|----------|-----------|-------|
| 4149.150 | 32*32*150 | Steel |

| No. | H | M |
|----------|-----|-------|
| 4137.173 | 173 | Steel |

| No. | W*H*L | M |
|----------|-----------|-------|
| 4873.001 | 25*15*600 | |
| 4873.002 | 30*30*600 | Steel |
| 4873.003 | 30*30*650 | |

| No. | H | M |
|----------|-----|-------|
| 4112.100 | 100 | |
| 4112.120 | 120 | Steel |
| 4112.150 | 150 | |
| 4112.200 | 200 | |

| No. | H | M |
|----------|-----|-------|
| 4113.095 | 95 | |
| 4113.110 | 110 | Steel |
| 4113.115 | 115 | |

| No. | H | M |
|----------|-----|-------|
| 4514.100 | 100 | |
| 4514.120 | 120 | Steel |

| No. | H | M |
|----------|-----|-------|
| 4115.100 | 100 | Steel |

| No. | L*W*H | M |
|-----------|-------------|-------|
| D4120.080 | 150*150*80 | |
| D4120.100 | 150*150*100 | Steel |

| No. | L*W*H | M |
|-----------|-----------|-------|
| D4105.100 | 79*79*100 | Steel |

| No. | L*W*H | M |
|----------|-----------|-------|
| 4891.122 | 61*30*122 | Steel |

| No. | L*W*H*T | M |
|----------|-------------|----------|
| 4310.001 | 60*60*60*10 | |
| 4310.002 | 60*60*60*8 | Aluminum |



| No. | H | M |
|----------|-----|------------------------|
| 4407.080 | 80 | Aluminum + Steel |
| 4407.100 | 100 | |
| 4407.120 | 120 | |
| 4407.150 | 150 | |

| No. | W*W*H | M |
|----------|-----------|---------------------|
| 4405.050 | 40*40*50 | Aluminum + PP |
| 4405.100 | 40*40*100 | |
| 4405.150 | 40*40*150 | |

| No. | H | M |
|-----------|-----|----------|
| 4309.100B | 100 | Aluminum |

| No. | Ø*H | M |
|----------|--------|----------|
| 4301.080 | 35*80 | Aluminum |
| 4301.120 | 35*120 | |
| 4301.140 | 35*140 | |

| No. | Ø * H | M |
|----------|--------|------------------------|
| 4408.080 | 40*80 | Aluminum + Steel |
| 4408.100 | 40*100 | |
| 4408.120 | 40*120 | |
| 4408.150 | 40*150 | |

| No. | Ø * H | M |
|----------|--------|---------------------|
| 4401.080 | 40*80 | Aluminum + PP |
| 4401.100 | 40*100 | |
| 4401.120 | 40*120 | |
| 4401.150 | 40*150 | |
| 4401.200 | 40*200 | |

| No. | Ø * H | M |
|----------|--------|------------------------|
| 4402.301 | 32*80 | Aluminum + Steel |
| 4402.302 | 32*100 | |
| 4402.303 | 32*120 | |
| 4402.304 | 32*150 | |

| No. | Ø * H | M |
|----------|--------|------------------------|
| 4402.501 | 50*80 | Aluminum + Steel |
| 4402.502 | 50*100 | |
| 4402.503 | 50*120 | |
| 4402.504 | 50*150 | |

| No. | H | M |
|----------|-----|----------|
| 4314.080 | 80 | Aluminum |
| 4314.100 | 100 | |
| 4314.120 | 120 | |
| 4314.150 | 150 | |
| 4314.180 | 180 | |
| 4314.200 | 200 | |
| 4314.350 | 350 | |

| No. | Ø * H | M |
|----------|--------|----------|
| 4311.100 | 32*100 | Aluminum |

| No. | H | M |
|----------|-----|----------|
| 4313.080 | 80 | Aluminum |
| 4313.100 | 100 | |
| 4313.120 | 120 | |
| 4313.130 | 150 | |
| 4313.180 | 180 | |
| 4313.200 | 200 | |

| No. | H | M |
|----------|-----|----------|
| 4319.100 | 100 | Aluminum |

| No. | H | M |
|----------|--------|----------|
| 4315.080 | 60-350 | Aluminum |

| No. | H | M |
|----------|-----|----------|
| 4316.120 | 120 | Aluminum |
| 4316.150 | 150 | |
| 4316.180 | 180 | |
| 4316.200 | 200 | |
| 4316.250 | 250 | |
| 4316.300 | 300 | |

| No. | H | M |
|----------|--------|----------|
| 4317.XXX | 60-350 | Aluminum |

| No. | H | M |
|----------|-----|----------|
| 4318.300 | 300 | Aluminum |



| No. | H | M |
|-----------------|-----|-------|
| 4108.130 | 130 | Steel |

| No. | H | M |
|-----------------|-----|-------|
| 4203.170 | 170 | Zamac |

| No. | L*W*H | M |
|-----------------|-------------|---------------------------|
| 4861.100 | 110*100*100 | Steel/ Stainless Steel |
| 4861.150 | 110*100*150 | |
| 4861.200 | 110*100*200 | |

| No. | L*W*H | M |
|-----------------|-----------|-----------------------|
| 4861.126 | 95*95*126 | Steel/Stainless Steel |

| No. | H | M |
|-----------------|-----|-------|
| 4206.100 | 103 | Steel |

| No. | H | M |
|------------------|-----|-------|
| D4202.140 | 140 | Zamac |
| D4202.130 | 130 | |

| No. | H | M |
|-----------------|-----|-------|
| 4852.220 | 220 | Steel |

| No. | L*W*H | M |
|-----------------|------------|-----------------------|
| 4878.100 | 220*40*175 | Steel/Stainless Steel |

| No. | W * W * H | M |
|------------------|-----------|-------|
| D4508.100 | 40*40*100 | Zamac |

| No. | W * W * H | M |
|------------------|-----------|-------|
| D4505.080 | 46*46*80 | Zamac |

| No. | H | M |
|-----------------|----|-------|
| 4201.050 | 50 | Zamac |



41003 41001 (mm)

| No. | L*W*H | M |
|-----------|-------------|-------|
| 41001.703 | 680*192*703 | Steel |
| 41003.182 | 1830*88*182 | |

(mm)

| No. | L*W*H | M |
|-----------|--------------|-----------------|
| 4853.633 | 800*400*633 | Steel/ |
| 4853.1027 | 800*400*1027 | Stainless Steel |

(mm)

| No. | Ø * H | M |
|-----------|----------|-----------------------|
| 41105.180 | Ø450*180 | Steel/Stainless Steel |

(mm)

| No. | Ø * H | M |
|-----------|----------|-----------------------|
| 41106.300 | Ø450*300 | Steel/Stainless Steel |

(mm)

| No. | L*W*H | M |
|-----------|--------------|---------------------------|
| 4854.723 | 450*450*723 | Steel/ Stainless Steel |
| 4854.1023 | 450*450*1023 | |
| 4854.720 | 450*450*720 | |
| 4854.1020 | 450*450*1020 | |

(mm)

| No. | L*W*H | M |
|----------|--------------|-----------------------|
| 4869.618 | 1250*450*618 | Steel/Stainless Steel |

(mm)

| No. | Ø * H | M |
|-----------|----------|-----------------------|
| 41107.720 | Ø720*720 | Steel/Stainless Steel |

(mm)

| No. | Ø * H | M |
|-----------|----------|-----------------------|
| 41108.720 | Ø450*720 | Steel/Stainless Steel |

(mm)

| No. | L*W*H | M |
|------------|-------------|---------------------------|
| 41101.720A | 450*450*720 | Steel/ Stainless Steel |
| 41101.720B | 450*450*720 | |

(mm)

| No. | L*W*H | Ø * H | M |
|-----------|-------------|-------|-----------------------|
| 41102.720 | 450*450*720 | 60*60 | Steel/Stainless Steel |

(mm)

| No. | L*W*H | M |
|-----------|-------------|-------|
| 41109.001 | 300*400*385 | Steel |
| 41109.002 | 350*430*495 | |
| 41109.003 | 250*320*440 | |

(mm)

| No. | L*W*H | M |
|-----------|--------------|-------|
| 41110.720 | 1140*715*720 | Steel |

(mm)

| No. | L*W*H | Ø * H | M |
|-----------|-------------|-------|-----------------------|
| 41103.720 | 450*450*720 | 60*60 | Steel/Stainless Steel |

(mm)

| No. | Ø * H | M |
|-----------|----------|-----------------------|
| 41104.720 | Ø600*720 | Steel/Stainless Steel |

(mm)

| No. | L*W*H | M |
|-----------|--------------|-------|
| 41111.715 | 1200*725*715 | Steel |

(mm)

| No. | Ø*H | M |
|-----------|----------|-------|
| 41112.470 | Ø470*405 | Steel |
| 41112.580 | Ø580*515 | |



| No. | Ø*H | M |
|-----------|----------|-------|
| 41113.001 | Ø515*370 | Steel |



| No. | L*W*H | M |
|-----------|-------------|-----------------|
| 41114.355 | 360*270*355 | Stainless Steel |
| 41114.400 | 360*270*400 | |
| 41114.450 | 360*270*450 | |



| No. | L*W*H | M |
|-----------|-------------|-----------------------|
| 41115.720 | 850*600*720 | Steel/Stainless Steel |



| No. | L*W*H | M |
|-----------|--------------|-----------------------|
| 41116.415 | 1150*400*415 | Steel/Stainless Steel |



| No. | L*W*H | M |
|-----------|--------------|-----------------------|
| 41117.720 | 1200*700*720 | Steel/Stainless Steel |



| No. | L*W*H | M |
|-----------|--------------|-----------------------|
| 41118.720 | 1090*500 | Steel/Stainless Steel |
| | 1130*600*720 | |



| No. | L*W*H | M |
|-----------|--------------|--|
| 41119.720 | 1300*300 | Steel/Stainless Steel/ Aluminum/Plastic |
| | 1340*600*720 | |



| No. | L*W*H | M |
|-----------|--------------|-------|
| 41120.710 | 940*470 | Steel |
| | 1320*690*710 | |



| No. | L*W*H | M |
|-----------|--------------|-------|
| 41122.720 | 1200*700*720 | Steel |



| No. | L*W*H | M |
|-----------|--------------|-----------------|
| 41121.720 | 1300*700*720 | Stainless Steel |



| No. | L*W*H | M |
|-----------|-------------|-------|
| 41125.403 | 572*150*403 | Steel |



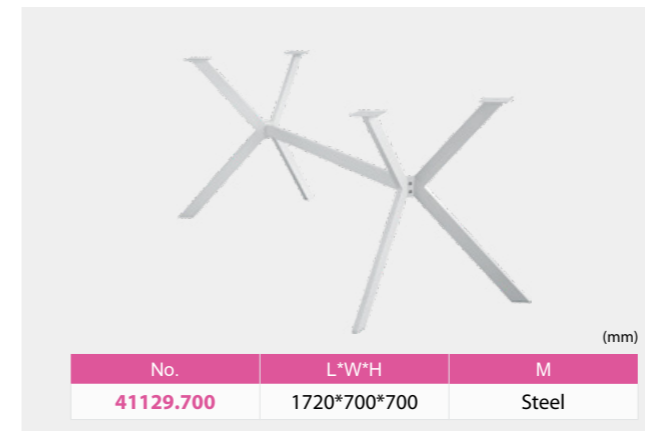
| No. | L*W*H | M |
|-----------|-------------|-------|
| 41126.403 | 572*150*403 | Steel |



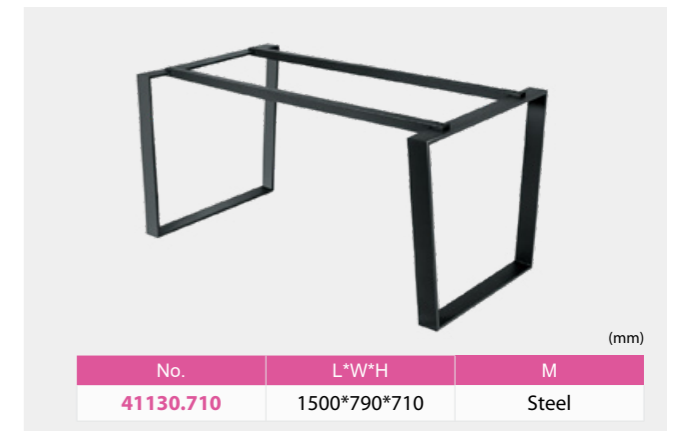
| No. | L*W*H | M |
|-----------|-------------|-------|
| 41127.403 | 572*150*403 | Steel |



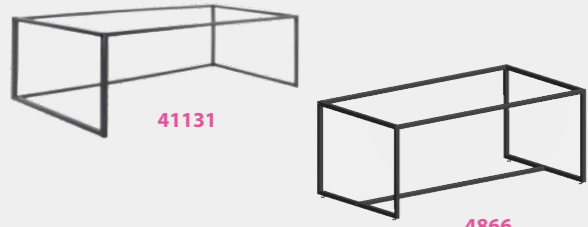
| No. | L*W*H | M |
|-----------|--------------|-------|
| 41128.710 | 1500*790*710 | Steel |



| No. | L*W*H | M |
|-----------|--------------|-------|
| 41129.700 | 1720*700*700 | Steel |



| No. | L*W*H | M |
|-----------|--------------|-------|
| 41130.710 | 1500*790*710 | Steel |



| No. | L*W*H | M |
|-----------|--------------|-------|
| 41131.400 | 1200*600*400 | Steel |
| 4866.001 | 1040*580*428 | Steel |



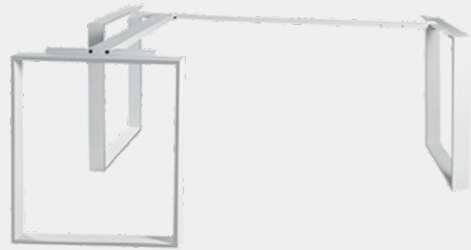
| No. | L*W*H | M |
|-----------|---------------|-------|
| 41132.700 | 1800*1800*700 | Steel |



| No. | L*W*H | M |
|-----------|------------|-------|
| 41137.720 | 750*60*720 | Steel |



| No. | L*W*H | M |
|-----------|------------|-------|
| 41138.700 | 690*80*700 | Steel |



| No. | L*W*H | M |
|-----------|---------------|-------|
| 41133.700 | 1800*1600*700 | Steel |



| No. | L*W*H | M |
|-----------|-------------|-------|
| 41134.630 | 495*495*630 | Steel |



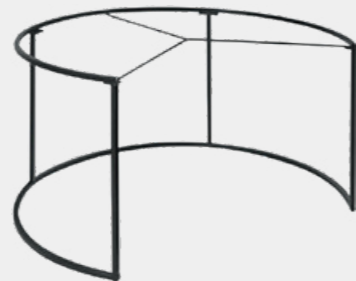
| No. | L*W*H | M |
|-----------|------------|-------|
| 41139.403 | 572*50*403 | Steel |



| No. | L*W*H | M |
|-----------|------------|-------|
| 41140.001 | 500*50*350 | Steel |



| No. | L*W*H | M |
|-----------|--------------|-------|
| 41135.500 | 1000*600*500 | Steel |



| No. | L*W*H | M |
|-----------|-------------|-------|
| 41136.400 | 800*800*400 | Steel |



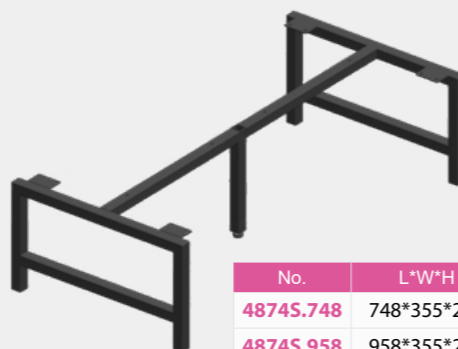
| No. | L*W*H | M |
|-----------|------------|-------|
| 41142.001 | 400*20*200 | Steel |
| 41142.002 | 450*40*200 | |
| 41142.003 | 500*40*200 | |



| No. | L*W*H | M |
|-----------|--------------|-------|
| 41143.001 | 300*100*430 | Steel |
| 41143.002 | 600*100*720 | |
| 41143.003 | 640*100*400 | |
| 41143.004 | 700*100*720 | |
| 41143.005 | 800*100*720 | |
| 41143.006 | 900*100*720 | |
| 41143.007 | 1000*100*720 | |



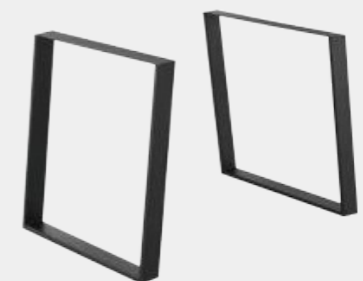
| No. | L*W*H | M |
|-----------|-------------|-------|
| 4885.315 | 315*327*200 | Steel |
| 4885.576 | 315*327*400 | |
| 4885.315H | 576*327*200 | |
| 4885.576H | 576*327*400 | |



| No. | L*W*H | M |
|------------|--------------|-------|
| 48745.748 | 748*355*200 | Steel |
| 48745.958 | 958*355*200 | |
| 48745.1750 | 1750*355*200 | |



| No. | L*W*H | M |
|-----------|------------|-------|
| 41144.001 | 400*80*430 | Steel |



| No. | L*W*H | M |
|-----------|------------|-------|
| 41145.001 | 750*80*720 | Steel |




(mm)

| No. | L*W*H | M |
|-----------|------------|-------|
| 41146.001 | 400*80*430 | Steel |
| 41146.002 | 750*80*720 | |



(mm)

| No. | L*W*H | M |
|-----------|------------|-------|
| 41147.001 | 400*80*420 | Steel |



(mm)

| No. | L*W*H | M |
|-----------|-------------|-------|
| 41148.001 | 400*100*400 | Steel |
| 41148.002 | 700*100*720 | |



(mm)

| No. | L*W*H | M |
|-----------|-------------|-------|
| 41149.001 | 400*120*400 | Steel |
| 41149.002 | 400*120*420 | |
| 41149.003 | 700*120*720 | |




(mm)

| No. | L*W*H | M |
|-----------|------------|-------|
| 41150.001 | 700*80*720 | Steel |




(mm)

| No. | L*W*H | M |
|-----------|-------------|-------|
| 41151.001 | 400*100*400 | Steel |
| 41151.002 | 550*100*720 | |
| 41151.003 | 700*100*720 | |



(mm)

| No. | L*W*H | M |
|-----------|-------------|-------|
| 41152.001 | 400*100*420 | Steel |
| 41152.002 | 550*100*720 | |
| 41152.003 | 750*100*590 | |
| 41152.004 | 690*100*720 | |
| 41152.005 | 790*100*720 | |



(mm)

| No. | L*W*H | M |
|-----------|--------------|-------|
| 41153.001 | 980*580*430 | Steel |
| 41153.002 | 1200*680*710 | |
| 41153.003 | 1500*780*710 | |
| 41153.004 | 850*850*710 | |



| No. | H | M |
|----------|-----|-----|
| 4403.118 | 118 | ABS |

| No. | W * W * H | M |
|-----------|------------|-----|
| D4502.050 | 45*45*H50 | ABS |
| D4502.080 | 45*45*H80 | |
| D4502.100 | 45*45*H100 | |
| D4502.120 | 45*45*H120 | |

| No. | L1*L2*H | M |
|-----------|-----------|-----|
| D4507.100 | 50*50*100 | ABS |

| No. | L * W * H | M |
|-----------|-----------|-----|
| D4506.001 | 68*68*80 | ABS |

| No. | W*H*L | M |
|----------|--------------------|----------|
| 5468.001 | 119*12.8*1000-3000 | Aluminum |
| 5468.002 | 148*12.8*1000-3000 | |

| No. | H | M |
|----------|---------|--------|
| 4601.001 | 95-125 | PP/ABS |
| 4601.002 | 95-140 | |
| 4601.003 | 115-145 | |
| 4601.004 | 115-160 | |
| 4601.005 | 135-165 | |
| 4601.006 | 135-180 | |

| No. | H | M |
|----------|---------|--------|
| 4602.001 | 95-125 | PP/ABS |
| 4602.002 | 95-140 | |
| 4602.003 | 115-145 | |
| 4602.004 | 115-160 | |
| 4602.005 | 135-165 | |
| 4602.006 | 135-180 | |

| No. | H | M |
|----------|---------|----|
| 4605.001 | 95-125 | PP |
| 4605.002 | 95-140 | |
| 4605.003 | 115-145 | |

| No. | H | M |
|----------|---------|-----|
| 4604.001 | 90-120 | ABS |
| 4604.002 | 100-160 | |
| 4604.003 | 120-180 | |

| No. | H | M |
|----------|---------|----|
| 4607.001 | 95--140 | PP |

| No. | H | M |
|----------|---------|----|
| 4608.001 | 95--135 | PP |

| No. | H | M |
|----------|---------|----|
| 4609.001 | 95--160 | PP |

| No. | H | M |
|----------|---------|----|
| 4603.001 | 145-215 | PP |

| No. | Ø * H | M |
|----------|-------|----|
| 4515.001 | 50*18 | PP |

| No. | Ø * H | M |
|-----------|---------|----|
| D4503.001 | Ø55*H24 | PS |

| No. | Ø * H | M |
|----------|---------|----|
| 4901.001 | 39*20 | PP |
| 4901.002 | 45*11.5 | PP |
| 4901.003 | 45*15 | PP |
| 4901.004 | 50*30 | PP |



| No. | Ø * H | M |
|----------|----------|----|
| 4902.001 | 50*18*M8 | PP |
| 4902.002 | 50*28*M8 | PP |
| 4902.003 | 50*43*M8 | PP |

(mm)

| No. | L * W * H | M |
|-----------|----------------|-----|
| D4513.001 | 70.5*70.5*55.5 | ABS |

(mm)

| No. | Ø * H | M*H1 | M |
|----------|-------|------|----------|
| 4908.001 | 29*10 | 8*26 | PP+Steel |

(mm)

| No. | SW*L | M |
|----------|-----------|----------|
| 4942.017 | 17*28.5M6 | PP+Steel |
| 4942.022 | 22*37.5M8 | |

(mm)

| No. | L * W * H | M |
|-----------|-----------|-----|
| D4509.001 | 50*40*20 | ABS |

(mm)

| No. | L * W * H | M |
|-----------|-----------|----|
| D4500.001 | 65*65*24 | PS |

(mm)

| No. | Ø * L * H | M |
|----------|-----------|------------|
| 4904.014 | 14*13*6 | PP + Steel |
| 4904.015 | 15*13*4.5 | |
| 4904.016 | 16*11*6 | |
| 4904.018 | 18*11*6 | |
| 4904.020 | 20*11*6 | |
| 4904.022 | 22*11*6 | |
| 4904.025 | 25*11*6 | |

(mm)

| No. | Ø * L * H | M |
|----------|-----------|------------|
| 4905.001 | 15*11*6 | PP + Steel |
| 4905.002 | 17*11*6 | |
| 4905.003 | 19*11*6 | |

(mm)

| No. | L * W * H | M |
|-----------|-----------|-----|
| D4501.001 | 90*45*28 | ABS |

(mm)

| No. | W | M |
|----------|----------|----|
| 4933.001 | 90*18*27 | PP |
| 4933.002 | 90*24*27 | PP |
| 4933.003 | 90*28*27 | PP |

(mm)

| No. | Ø * L * H | M |
|----------|-----------|------------|
| 4927.014 | 14*8*6+4 | PP + Steel |
| 4927.016 | 16*8*6+4 | |
| 4927.018 | 18*8*6+4 | |
| 4927.020 | 20*8*6+4 | |
| 4927.022 | 22*8*6+4 | |
| 4927.025 | 25*8*6+4 | |

(mm)

| No. | L * W * H | M |
|----------|-----------|-----------|
| 4928.001 | 45*15*6 | PP+ Steel |
| 4928.002 | 48*15*6 | |

(mm)

| No. | Ø * L | M |
|----------|-------|----------|
| 4910.001 | 8*45 | Steel+PP |

(mm)

| No. | H | M |
|----------|-----|-------|
| 4909.001 | 60 | Steel |
| 4909.002 | 80 | Steel |
| 4909.003 | 100 | Steel |

(mm)

| No. | Ø * H * L | M |
|----------|-----------|----------|
| 4939.001 | 12*7.5*19 | PP+Steel |

(mm)

| No. | L * W * H | M |
|----------|-----------|----|
| 4935.001 | 60*20*8 | PP |

(mm)



| No. | Ø | H | M |
|----------|----|-----|-------------|
| 4922.001 | 6 | 1.5 | |
| 4922.002 | 7 | 1.5 | |
| 4922.003 | 8 | 2.4 | PVC/ EVA |
| 4922.004 | 10 | 2-3 | |
| 4922.005 | 12 | 4 | |
| 4922.006 | 20 | 2 | |

| No. | Ø | H | M |
|----------|----|---|---------|
| 4921.001 | 12 | 4 | |
| 4921.002 | 13 | 3 | PVC/EVA |
| 4921.003 | 19 | 7 | |

| No. | Ø * T | M |
|----------|----------|---|
| 4923.001 | 15*0.8-5 | |
| 4923.002 | 18*0.8-5 | |
| 4923.003 | 20*0.8-5 | |
| 4923.004 | 10*0.8-5 | |

| No. | W*W *T | M |
|----------|-------------|---|
| 4925.001 | 15*15*0.8-5 | |
| 4925.002 | 20*20*0.8-5 | |
| 4925.003 | 25*25*0.8-5 | |

| No. | Ø * T | M |
|----------|----------|---|
| 4924.001 | 15*0.8-5 | |
| 4924.002 | 18*0.8-5 | |
| 4924.003 | 20*0.8-5 | |
| 4924.004 | 25*0.8-5 | |

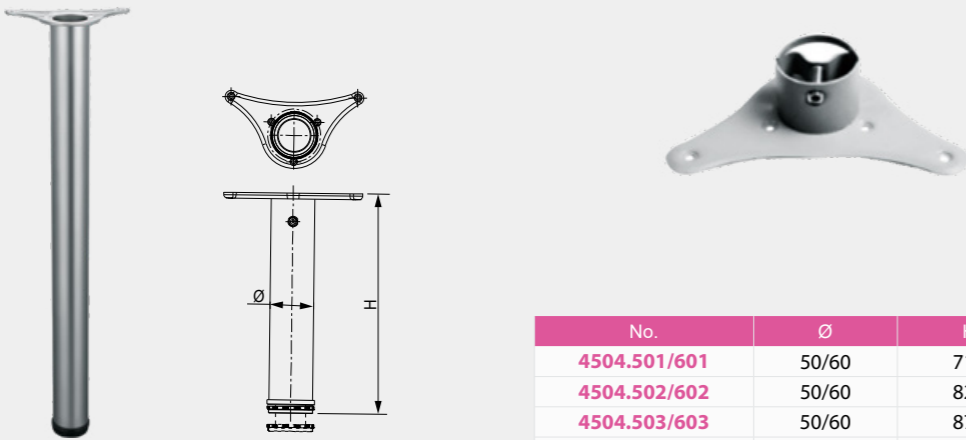
| No. | W*W *T | M |
|----------|-------------|---|
| 4926.001 | 15*15*0.8-5 | |
| 4926.002 | 20*20*0.8-5 | |
| 4926.003 | 25*25*0.8-5 | |

| No. | Ø * T | M |
|----------|-------|-----|
| 4931.001 | 21*2 | PVC |
| 4931.002 | 21*2 | |

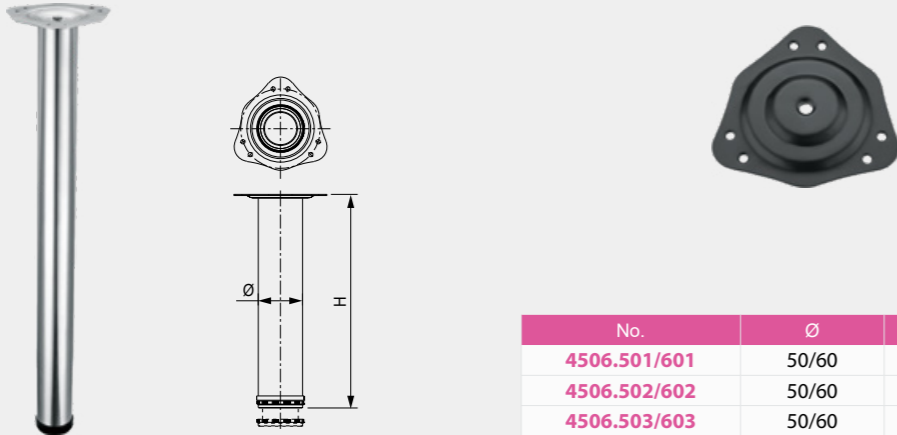
| No. | Ø | H | M |
|--------------|-------|------|-------------------|
| 4501.501/601 | 50/60 | 710 | Steel+ alum.plate |
| 4501.502/602 | 50/60 | 820 | Steel+ alum.plate |
| 4501.503/603 | 50/60 | 870 | Steel+ alum.plate |
| 4501.504/604 | 50/60 | 1100 | Steel+ alum.plate |

| No. | Ø | H | M |
|--------------|-------|------|-------------------|
| 4502.501/601 | 50/60 | 710 | Steel+ alum.plate |
| 4502.502/602 | 50/60 | 820 | Steel+ alum.plate |
| 4502.503/603 | 50/60 | 870 | Steel+ alum.plate |
| 4502.504/604 | 50/60 | 1100 | Steel+ alum.plate |

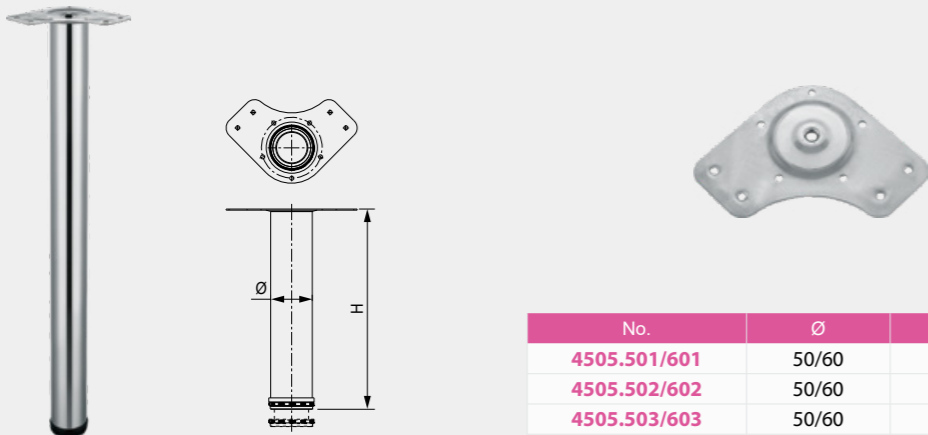
| No. | Ø | H | Size |
|--------------|-------|------|-------------------|
| 4503.501/601 | 50/60 | 710 | Steel+ alum.plate |
| 4503.502/602 | 50/60 | 820 | Steel+ alum.plate |
| 4503.503/603 | 50/60 | 870 | Steel+ alum.plate |
| 4503.504/604 | 50/60 | 1100 | Steel+ alum.plate |



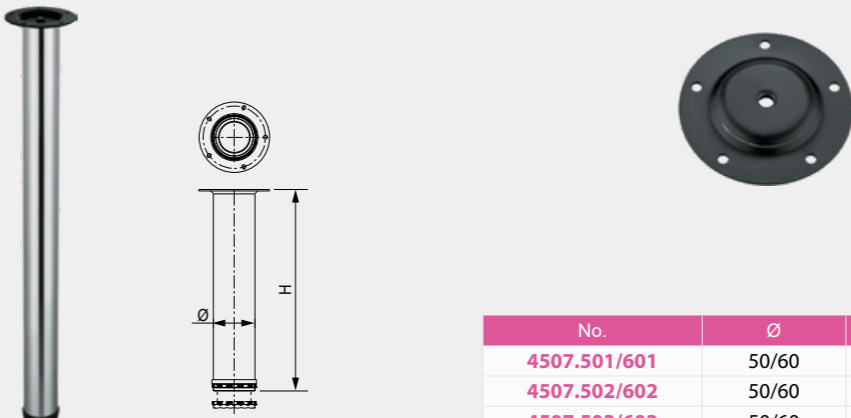
| No. | Ø | H | M |
|---------------------|-------|------|-------|
| 4504.501/601 | 50/60 | 710 | Steel |
| 4504.502/602 | 50/60 | 820 | Steel |
| 4504.503/603 | 50/60 | 870 | Steel |
| 4504.504/604 | 50/60 | 1100 | Steel |



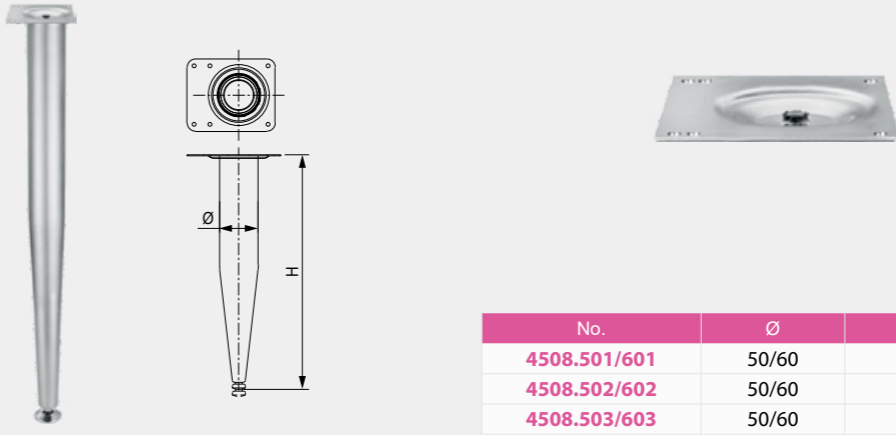
| No. | Ø | H | M |
|---------------------|-------|------|-------|
| 4506.501/601 | 50/60 | 710 | Steel |
| 4506.502/602 | 50/60 | 820 | Steel |
| 4506.503/603 | 50/60 | 870 | Steel |
| 4506.504/604 | 50/60 | 1100 | Steel |



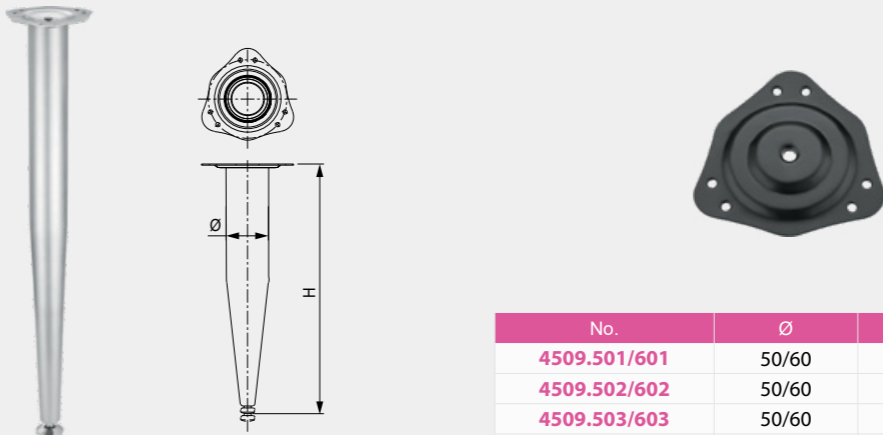
| No. | Ø | H | M |
|---------------------|-------|------|-------|
| 4505.501/601 | 50/60 | 710 | Steel |
| 4505.502/602 | 50/60 | 820 | Steel |
| 4505.503/603 | 50/60 | 870 | Steel |
| 4505.504/604 | 50/60 | 1100 | Steel |


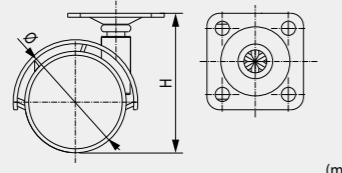
| No. | Ø | H | M |
|---------------------|-------|------|-------|
| 4507.501/601 | 50/60 | 710 | Steel |
| 4507.502/602 | 50/60 | 820 | Steel |
| 4507.503/603 | 50/60 | 870 | Steel |
| 4507.504/604 | 50/60 | 1100 | Steel |



| No. | Ø | H | M |
|---------------------|-------|------|-------|
| 4508.501/601 | 50/60 | 710 | Steel |
| 4508.502/602 | 50/60 | 820 | Steel |
| 4508.503/603 | 50/60 | 870 | Steel |
| 4508.504/604 | 50/60 | 1100 | Steel |


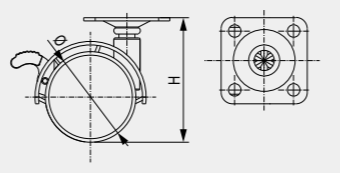


| No. | Ø | H | M |
|---------------------|-------|------|-------|
| 4509.501/601 | 50/60 | 710 | Steel |
| 4509.502/602 | 50/60 | 820 | Steel |
| 4509.503/603 | 50/60 | 870 | Steel |
| 4509.504/604 | 50/60 | 1100 | Steel |


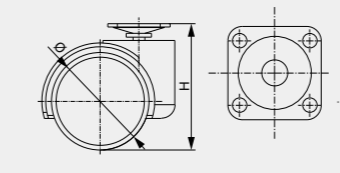
(mm)

| No. | Ø | H | kg | Material |
|----------|----|-------|----|----------|
| 4701.001 | 30 | 15-25 | | PP/PA |
| 4701.002 | 40 | 15-25 | | PP/PA |
| 4701.003 | 50 | 15-30 | | PP/PA |


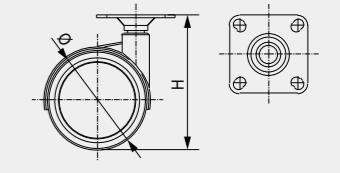
(mm)

| No. | Ø | H | kg | Material |
|----------|------|-------|----|----------|
| 4702.001 | Ø 40 | 15-25 | | PP/PA |
| 4702.002 | Ø 50 | 15-30 | | PP/PA |


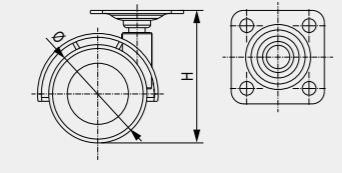
(mm)

| No. | Ø | H | kg | Material |
|----------|------|-------|----|----------|
| 4707.040 | Ø 40 | 15-25 | | PP/PA |
| 4707.050 | Ø 50 | 15-30 | | PP/PA |


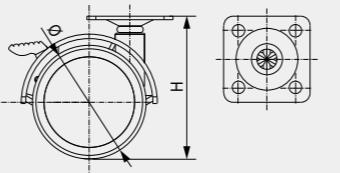
(mm)

| No. | Ø | H | kg | Material |
|----------|----|-------|----|----------------|
| 4711.060 | 60 | 20-30 | | PA + PP + LDPE |
| 4711.075 | 75 | 20-35 | | PA + PP + LDPE |


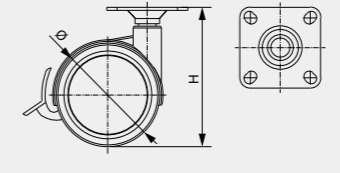
(mm)

| No. | Ø | H | kg | Material |
|----------|------|-------|----|---------------|
| 4709.001 | Ø 40 | 15-30 | | PA + PP + PVC |
| 4709.002 | Ø 50 | 15-30 | | PA + PP + PVC |


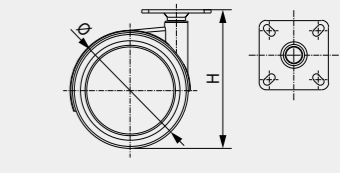
(mm)

| No. | Ø | H | kg | Material |
|----------|------|-------|----|---------------|
| 4710.001 | Ø 40 | 15-30 | | PA + PP + PVC |
| 4710.002 | Ø 50 | 15-30 | | PA + PP + PVC |


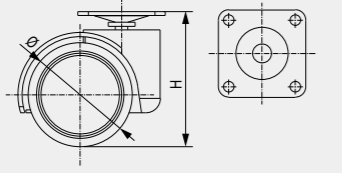
(mm)

| No. | Ø | H | kg | Material |
|----------|----|-------|----|----------------|
| 4712.060 | 60 | 20-30 | | PA + PP + LDPE |
| 4712.075 | 75 | 20-35 | | PA + PP + LDPE |


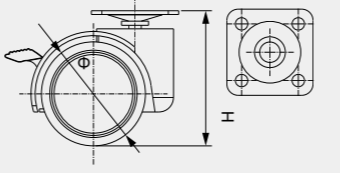
(mm)

| No. | Ø | H | kg | Material |
|----------|-----|----|----|--------------|
| 4714.001 | 100 | 50 | | PA+ABS+Zamac |


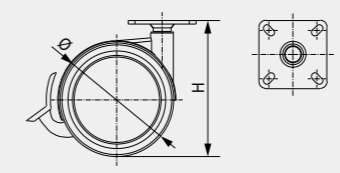
(mm)

| No. | Ø | H | kg | Material |
|----------|------|-------|----|---------------|
| 4703.040 | Ø 40 | 15-25 | | PA + PP + PVC |
| 4703.050 | Ø 50 | 15-30 | | PA + PP + PVC |


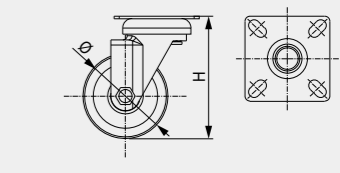
(mm)

| No. | Ø | H | kg | Material |
|----------|------|-------|----|---------------|
| 4704.040 | Ø 40 | 15-25 | | PA + PP + PVC |
| 4704.050 | Ø 50 | 15-30 | | PA + PP + PVC |


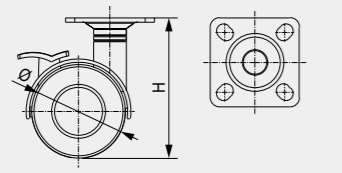
(mm)

| No. | Ø | H | kg | Material |
|----------|-----|----|----|--------------|
| 4714.002 | 100 | 50 | | PA+ABS+Zamac |


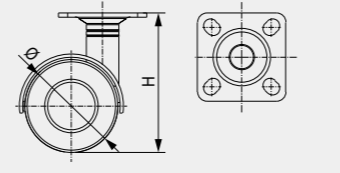
(mm)

| No. | Ø | H | kg | Material |
|----------|----|----|----|----------|
| 4719.050 | 50 | 35 | | PP+PVC |
| 4719.075 | 75 | 60 | | PP+PVC |


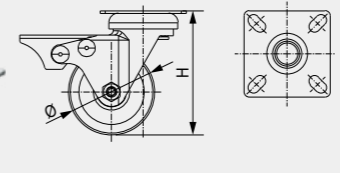
(mm)

| No. | Ø | H | kg | Material |
|----------|----|-------|----|------------|
| 4706.040 | 40 | 15-25 | | PA + Zamac |
| 4706.050 | 50 | 15-30 | | PA + Zamac |


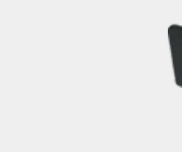
(mm)

| No. | Ø | H | kg | Material |
|----------|----|-------|----|------------|
| 4705.040 | 40 | 15-25 | | PA + Zamac |
| 4705.050 | 50 | 15-30 | | PA + Zamac |

(mm)

| No. | Ø | H | kg | Material |
|----------|----|----|----|----------|
| 4720.050 | 50 | 35 | | PP+PVC |
| 4720.075 | 75 | 60 | | PP+PVC |

(mm)


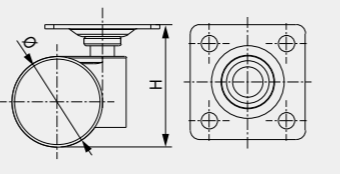
| No. | Size |
|------|------|
| T001 | M6 |
| T002 | M8 |

| No. | Size |
|------|------|
| U001 | W=16 |
| U002 | W=19 |




(mm)

| No. | Ø | H | kg | Material |
|----------|------|-------|----|----------|
| 4730.001 | Ø 30 | 15-25 | | PP |

(mm)

| No. | Ø | H | kg | Material |
|----------|------|-------|----|----------|
| 4731.040 | Ø 25 | 15-25 | | TPR |
| 4731.050 | Ø 30 | 15-30 | | TPR |




(mm)

| No. | Size |
|------|--------|
| L001 | Ø 8*39 |

| No. | Size |
|------|-------|
| P001 | 38*38 |
| P002 | 42*42 |




(mm)

| No. | Size |
|------|---------|
| F001 | Ø 10*22 |

| No. | Size |
|------|--------|
| V001 | Ø 8*38 |



| No. | H | M | Material |
|----------|-----|----|----------|
| 4721.035 | 35 | 30 | TPR |
| 4721.050 | 50 | 40 | TPR |
| 4721.060 | 60 | 50 | TPR |
| 4721.075 | 75 | 55 | TPR |
| 4721.100 | 100 | 60 | TPR |

| No. | H | M | Material |
|----------|-----|----|----------|
| 4722.030 | 35 | 30 | TPR |
| 4722.050 | 50 | 40 | TPR |
| 4722.060 | 60 | 50 | TPR |
| 4722.075 | 75 | 55 | TPR |
| 4722.100 | 100 | 60 | TPR |

| No. | H | M | Material |
|----------|----|----|----------|
| 4715.025 | 25 | 25 | PP |
| 4715.030 | 30 | 30 | PP |

| No. | H | M | Material |
|----------|----|----|----------|
| 4716.025 | 25 | 25 | PP |
| 4716.030 | 30 | 30 | PP |

| No. | H | M | Material |
|----------|----|----|----------|
| 4725.025 | 25 | 25 | PP |
| 4725.030 | 30 | 30 | PP |
| 4725.040 | 40 | 35 | PP |
| 4725.050 | 50 | 40 | PP |

| No. | H | M | Material |
|----------|----|----|----------|
| 4727.025 | 25 | 25 | PP+TPR |
| 4727.030 | 30 | 30 | PP+TPR |

| No. | H | M | Material |
|----------|----|----|----------|
| 4717.020 | 20 | 20 | PP |

| No. | H | M | Material |
|----------|----|----|----------|
| 4726.025 | 25 | 25 | PP |

| No. | H | M | Material |
|----------|----|----|----------|
| 4728.050 | 50 | 45 | PP |

| No. | H | M | Material |
|----------|----|----|----------|
| 4729.040 | 40 | 30 | PP |

| No. | H | M | Material |
|----------|-----|--------|----------|
| 4804.160 | 160 | Wooden | |

| No. | H | M | Material |
|----------|-----|--------|----------|
| 4801.220 | 220 | Wooden | |

| No. | H | M | Material |
|----------|-----|--------|----------|
| 4802.220 | 220 | Wooden | |

| No. | H | M | Material |
|----------|-----|--------|----------|
| 4803.220 | 220 | Wooden | |

| No. | H | M | Material |
|----------|-----|--------|----------|
| 4805.001 | 200 | Wooden | |
| 4805.002 | 225 | | |
| 4805.003 | 250 | | |
| 4805.004 | 275 | | |
| 4805.005 | 300 | | |

| No. | H | M | Material |
|----------|-----|--------|----------|
| 4806.001 | 130 | Wooden | |
| 4806.002 | 150 | | |
| 4806.003 | 200 | | |

| No. | H | M | Material |
|----------|-----|--------|----------|
| 4807.001 | 100 | Wooden | |
| 4807.002 | 120 | | |
| 4807.003 | 130 | | |

| No. | H | M | Material |
|----------|-----|--------|----------|
| 4808.001 | 100 | Wooden | |
| 4808.002 | 120 | | |
| 4808.003 | 130 | | |